

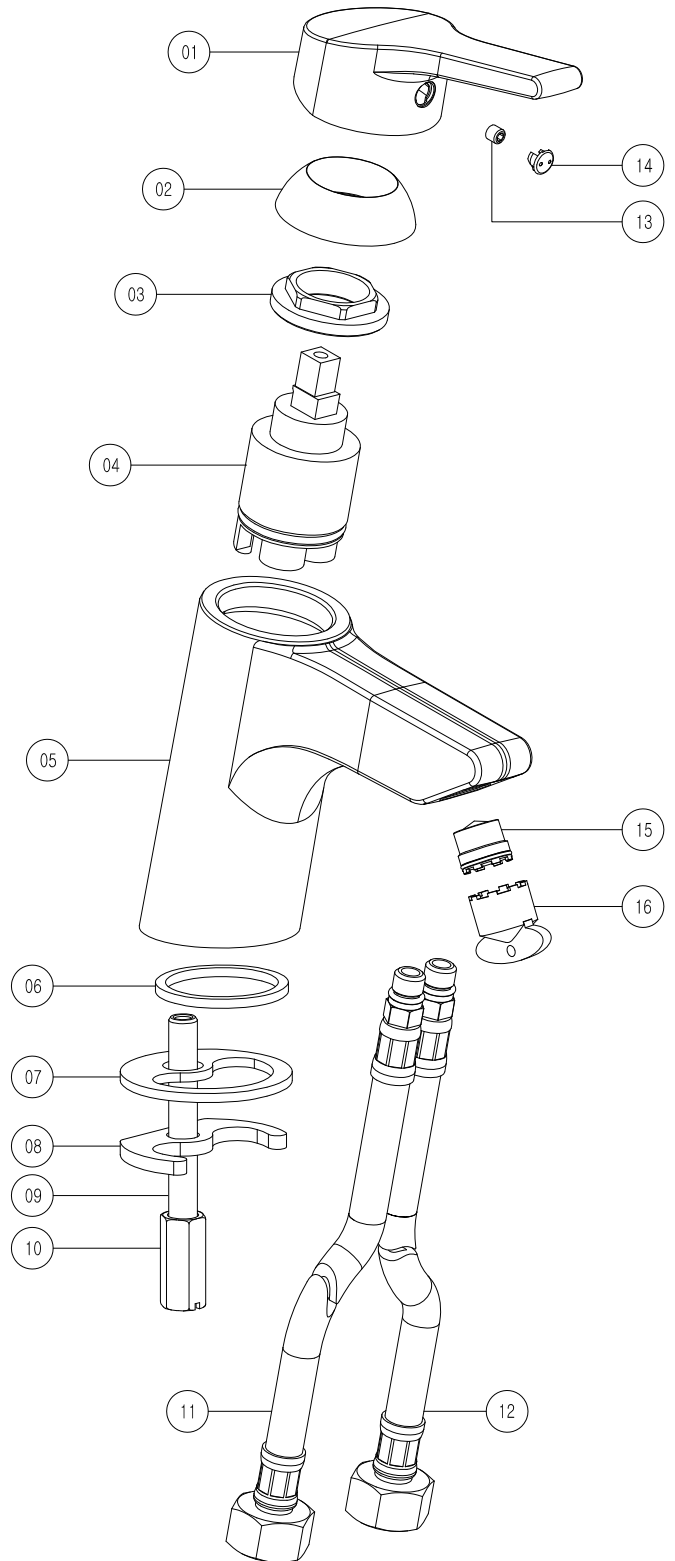
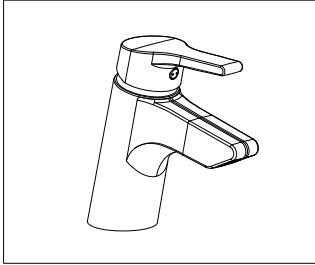
# NEW ACTIVE-뉴 액티브

## REPAIR PARTS FOR 1-H LAV.

### KF-1675.100.4U00XX

*American Standard*

■ KF-1675



NO.	DWG NO.	PARTS NAME	Q'TY
1	9915816744X0	HANDLE	1
2	991580723350	CARTRIDGE COVER	1
3	12603275XXXX	LOCK NUT	1
4	2C651852XXXX	CARTRIDGE S/A	1
5	11600315.0XX	BODY	1
6	31611029XXXX	PACKING	1
7	31611941XXXX	PACKING	1
8	17619318XXXX	HOLDING PLATE	1
9	17617850XXXX	SHANK	1
10	12906027XXXX	LOCK NUT	1
11	1K652099XXXX	FLEXIBLE HOSE S/A(RED)	1
12	1K652100XXXX	FLEXIBLE HOSE S/A(BLUE)	1
13	17617892XXXX	SET SCREW	1
14	21607642.0XX	DISH MARK	1
15	99622062XXXX	AERATOR	1
16	99605786XXXX	AERATOR TOOL	1